



# EzRay Air™ Wall

## WEIGHT INNOVATION

WALL-MOUNTED INTRAORAL X-RAY



Round Shape Design

Stable Arm

One-Handed Grip

## WEIGHT INNOVATION WITH CNT (CARBON NANO TECHNOLOGY)

The wall mounted EzRay Air Wall is a lightweight x-ray device designed for easy handling and stable positioning for optimal image quality on your intraoral x-rays.

The EzRay Air Wall's lightweight tube head provides users with a stable and easy to use x-ray source which maximizes image clarity and optimizes workflow.



## SMART DIAL FOR ALL FUNCTIONS

The operating panel located on the tube head creates a much simpler and much faster workflow. Using the smart dial, practitioners will notice a decrease in preparation time and less of a need to remember complicated control buttons and configurations.

## SECURE CLEAR IMAGES WITH A 0.4MM FOCAL SPOT

Compared to other intraoral x-rays on the market, the EzRay Air Wall provides optimal image quality and additional diagnostic value with a 0.4mm focal spot.



\* Exposure Condition : 65kV, 3,0mA

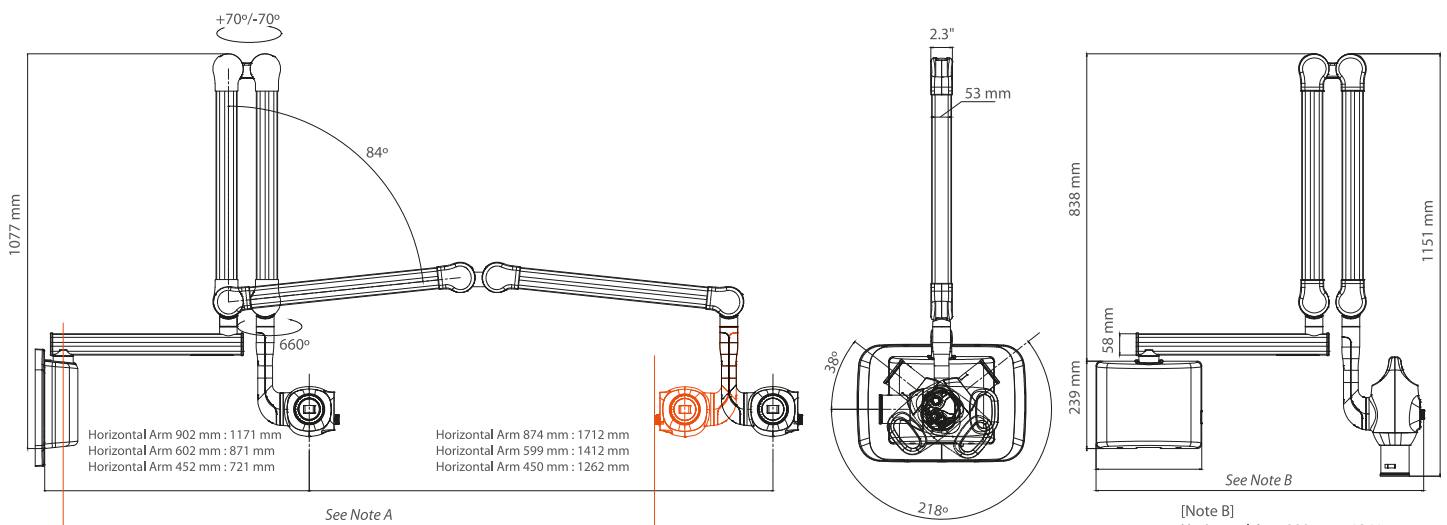


## SPECIFICATIONS [EzRay Air Wall : VEX-S300W]

Focal Spot	0.4 mm (IEC 60336)
Tube Voltage	65 kV
Tube Current	3.0 mA
Exposure Time Range	0.05 ~ 0.5 (0.01s increment)
Source to Skin Distance	Min. 20 cm
X-ray Field	<b>Default:</b> : 60 mm Round, 30x40 mm Rectangular / <b>Optional:</b> 20x30 mm Rectangular
Arm Length [Option]	62"/ 68"/ 80" *See note A
Accessories	Remote Exposure Switch (Hand Switch / Doorbell Switch)
Weight	25.8 kg (Arm Length 157.5 cm)
	26.3 kg (Arm Length 172.7 cm)
	27.7 kg (Arm Length 203.2 cm)

\* The specifications are subject to change without prior notice.

## DIMENSIONS [Unit: mm]



[Note A]  
450 mm Horizontal Arm 1585 mm / 599 mm Horizontal Arm 1735 mm / 899 mm Horizontal Arm 2035 mm with 203 mm cone

[Note B]  
Horizontal Arm 899 mm : 1341 mm  
Horizontal Arm 599 mm : 1041 mm  
Horizontal Arm 450 mm : 891 mm